

FKL VERTICAL SHAFT IMPACT CRUSHER

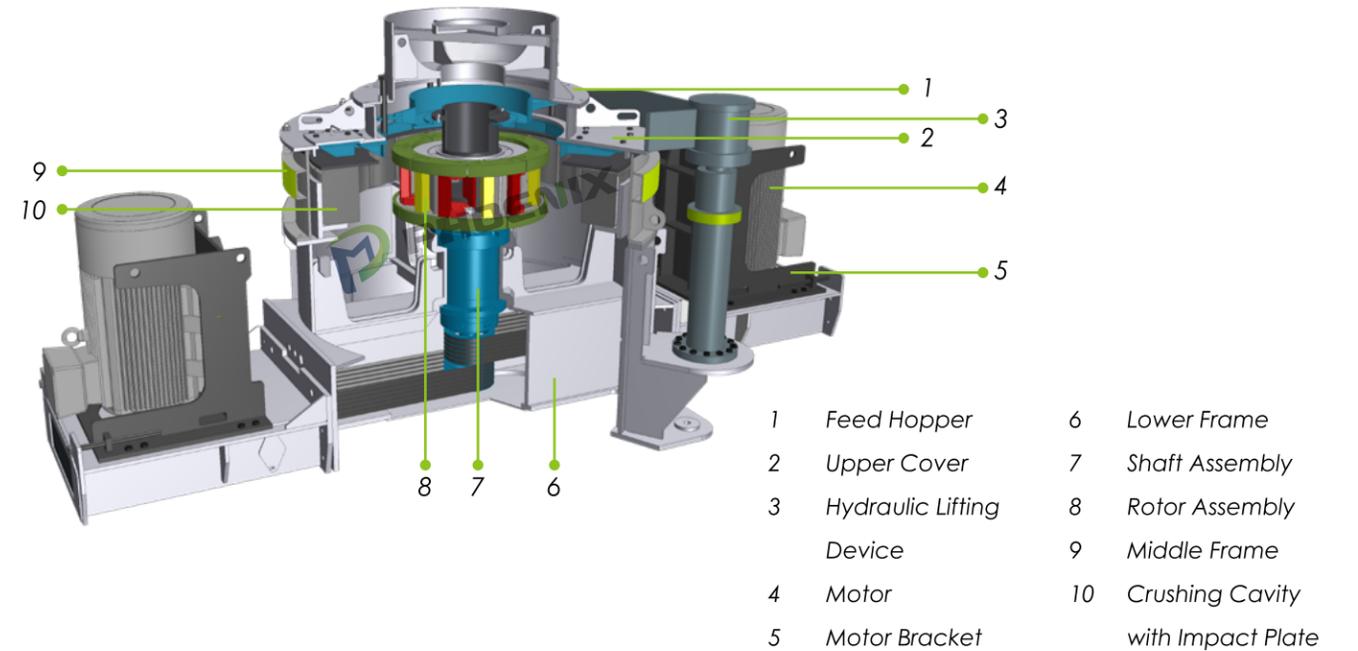
INTRODUCTION

FKL vertical shaft impact crusher, also called VSI and sand making machine, is a fine crushing equipment suitable for hard, brittle and abrasive materials. It can meet the construction requirements of artificial sand, concrete, and ore beneficiation for modern engineering, water conservancy, building, mining and other industries. It has the characteristics of high sand productivity and good product shape, and can interchange easily between different cavity types of "stone strikes stone" and "stone strikes iron".



FEATURES

- Double motor drive, strong power and higher capacity.
- It is easy to interchange between "stone strikes stone" cavity type and "stone strikes iron" cavity type.
- Only need to replace the material rack and crusher pulley to change between sand making and shaping.
- Hydraulic lifting device makes it easy to replace impact liners, inner and outer blades in the rotor, and can reduce downtime.
- Rotors with different head numbers can meet different process requirements.
- Thin oil lubrication system ensures good heat dissipation of the bearing and can prolong service life.



Technical Parameters - FKL Vertical Shaft Impact Crusher (VSI)

Model	Max. feed size	Impeller speed	Capacity	Power	Weight (excluding motor)
	(mm)	(r/min)	(t/h)	(kw)	(kg)
FKL-850	40	1230-1560	200-330	200×2 (132×2/160×2/220×2)	11400
FKL-850F	40	1230-1560	200-330	200×2 (132×2/160×2/220×2)	14000
FKL-850L	40	1230-1560	240-400	200×2 (132×2/160×2/220×2)	11500
FKL-1000	50	1070-1310	280-540	220×2 (160×2/200×2/250×2)	14000
FKL-1000F	50	1070-1310	280-540	220×2 (160×2/200×2/250×2)	16600
FKL-1000L	50	1070-1310	330-620	220×2 (160×2/200×2/250×2)	14100
FKL-1200	60	940-1100	380-660	250×2 (200×2/220×2/280×2)	15700
FKL-1200F	60	940-1100	380-660	250×2 (200×2/220×2/280×2)	18200
FKL-1200L	60	940-1100	460-760	250×2 (200×2/220×2/280×2)	15800