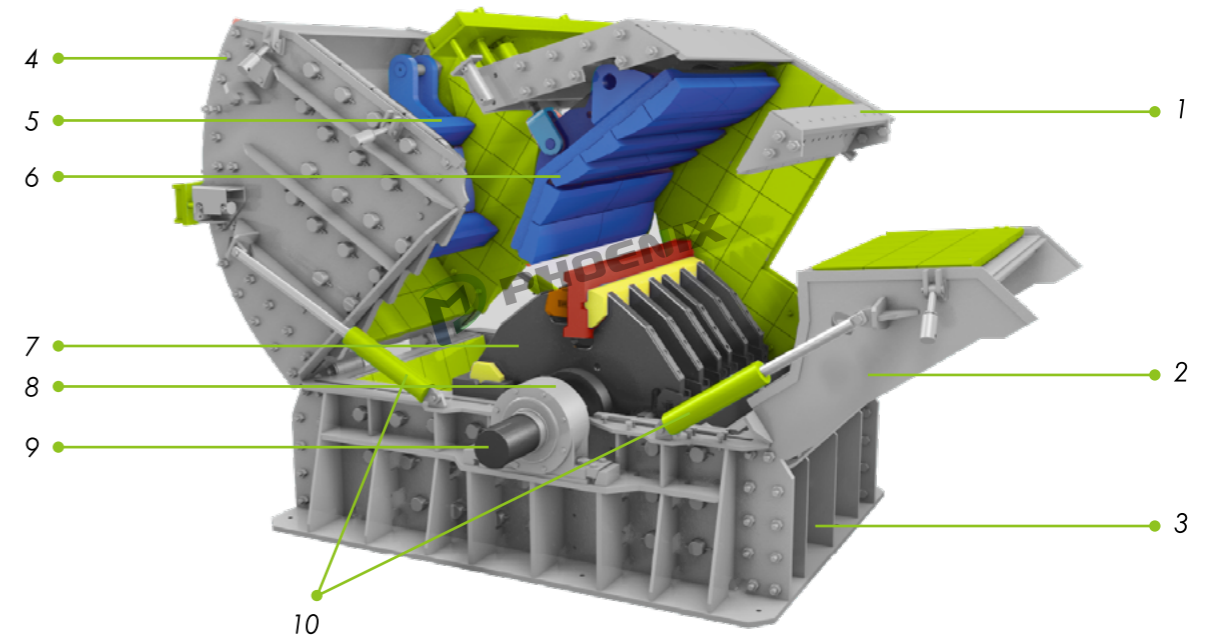
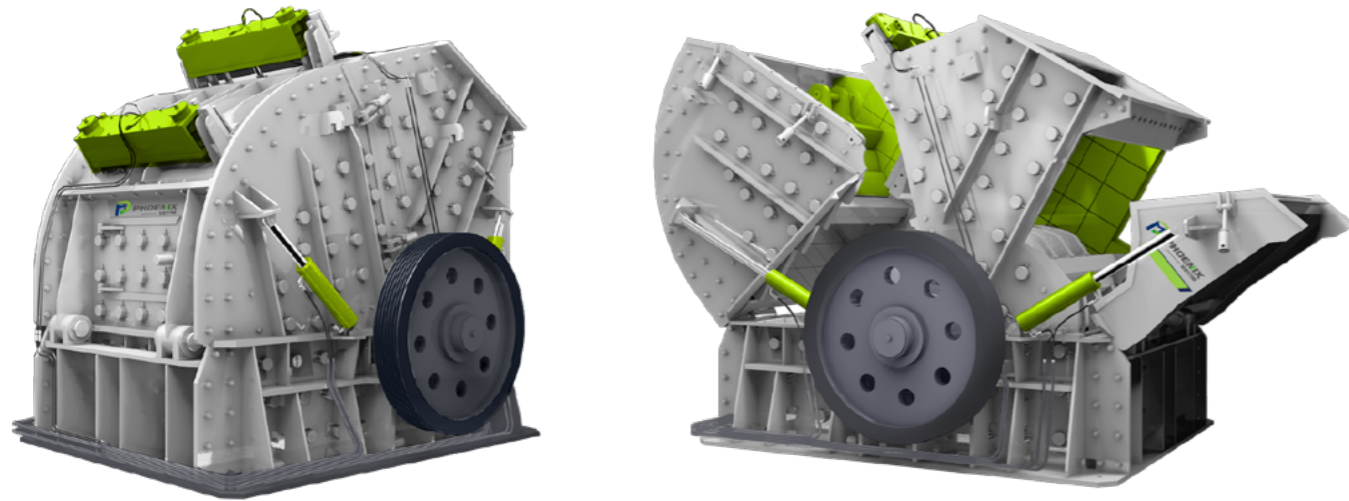


FKF IMPACT CRUSHER

INTRODUCTION

FKF impact crusher is an advanced crushing equipment for coarse, medium and fine crushing of brittle materials such as limestone, dolomite, sandstone, graphite, halite, granite, basalt, etc. It is easy for operating and maintenance, and the crushed products are of good cubic shape. FKF impact crusher can have two or three crushing chambers to meet different requirements for output sizes and capacity.



- | | | | | | |
|---|--------------|---|--------------------|----|--------------------|
| 1 | Middle Frame | 5 | Second Impact Rack | 9 | Shaft |
| 2 | Front Frame | 6 | First Impact Rack | 10 | Hydraulic Cylinder |
| 3 | Bottom Base | 7 | Rotor Rack | | |
| 4 | Rear Frame | 8 | Bearing Seat | | |

Technical Parameters - FKF Impact Crusher

Model	Rotor size	Feed opening size	Max. feed size	Discharge size	Capacity	Power	Weight (excluding motor)
	(mm)	(mm)	(mm)	(mm)	(t/h)	(kw)	(kg)
FKF-100	Ø1000×1000	350×1020	200	≤40	80-110	110	10000
FKF-130	Ø1280×1340	500×1360	200	≤60	160-220	200	19900
FKF-150	Ø1540×1500	504×1530	300	≤60	320-380	315	30000
FKF-180	Ø1600×1800	550×1800	350	≤60	450-580	500	40300
FKF-200	Ø1800×2000	650×2000	600	≤80	600-750	710	65000

FEATURES

- Hydraulic opening of frames, easy for maintenance and replacement of wearing parts.
- Hydraulic adjustment of discharge opening.
- Most of side liners are of same size and are interchangeable, which can save long-term running cost.
- The side liners are locked by wedge pin instead of bolts. The liners can be simply and quickly installed and replaced.